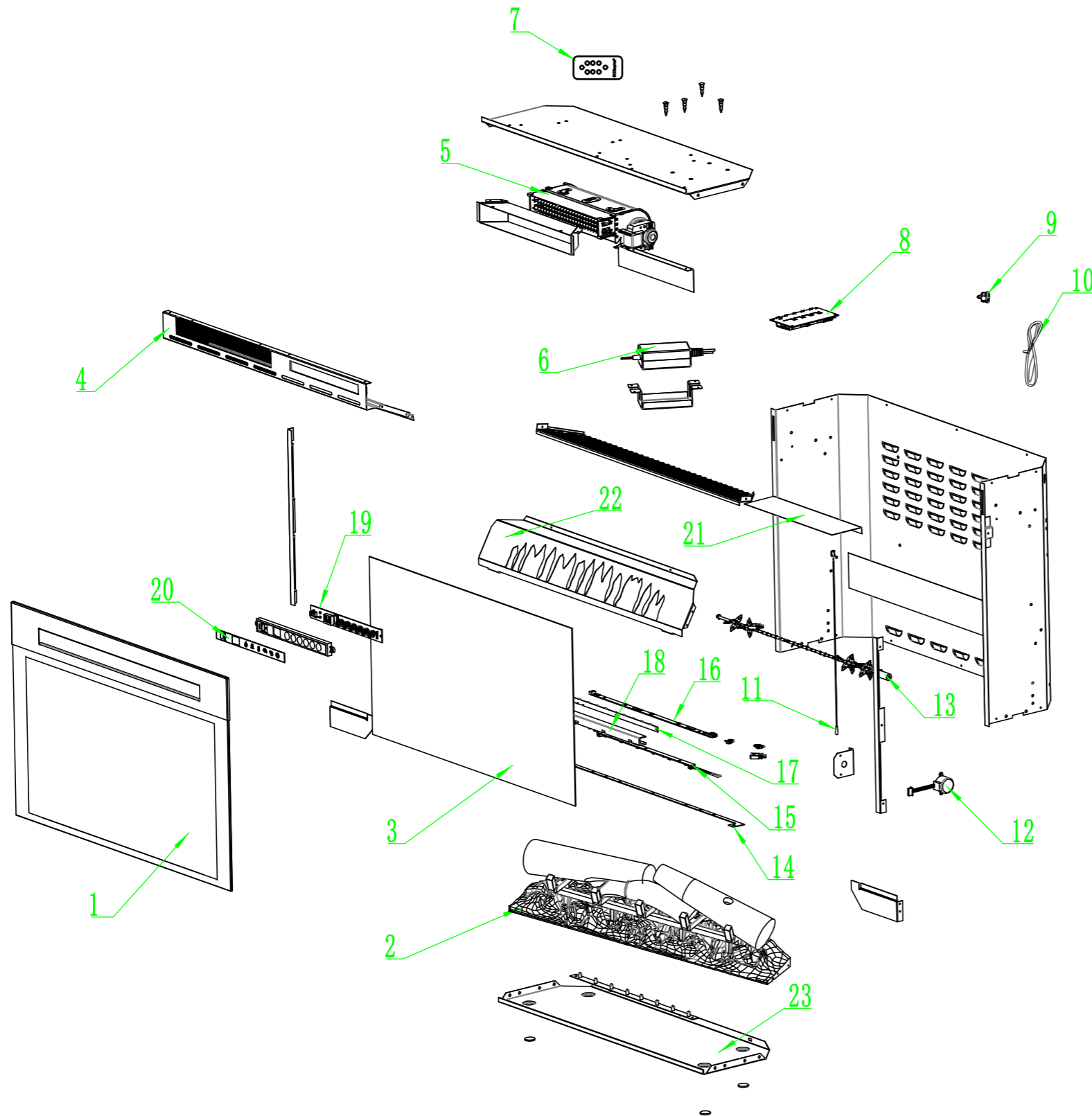




XHD28 - 211002
exploded view



211002	XHD28	
Number	Part number	Description
23	05.03.001.180	Base panel
22	05.03.032.020	Flame panel
21	05.03.011.091	Light proof panel
20	11.09.003.009	Touch panel
19	03.08.006.017	Display board
18	02.01.009.024	Round head RGB bracket
17	3001850100	Flame LED strip
16	03.18.004.072	RGB strip
15	3001880100	LED Strip
14		RGB bracket
13	06.10.001.016	Rotisseries assembly
12	03.01.002.003	Flicker Motor
11	03.08.008.003	NTC
10	03.21.002.015	Power cord
9	02.01.008.006	5n-4 strain relief
8	03.08.002.045	PCB
7	03.09.001.053	Remote XHD range
6	03.20.002.023	Adaptor
5	06.02.001.056	Blower assembly
4	05.02.029.029	Air outlet assembly
3	04.01.001.168	Mirror
2	06.04.003.261	Logset
1	04.02.001.152	Front Glass XHD28